



Application Area

Multipurpose Floodlight for decks, engine rooms, cargo holds, weather-exposed areas, industrial areas

Design

According to the rules of international classification societies, VDE, IEC

Protection

IP 67

Housing

- Made of stainless steel AISI 316L
- Powder coated white mat RAL 9016
- Diffuser made of safety glass

Lamps

- R7s halogen lamps(standard)
- HST/HIT
- Changeable LED 30W 2000 Lumen for 4000K

Electric

- 24V/110V/230V 50/60Hz
- Flexible, heat resistant wiring
- Junction box for the electric connection(optional)

Cable Entry

- Brass cable gland PG16 IP 68

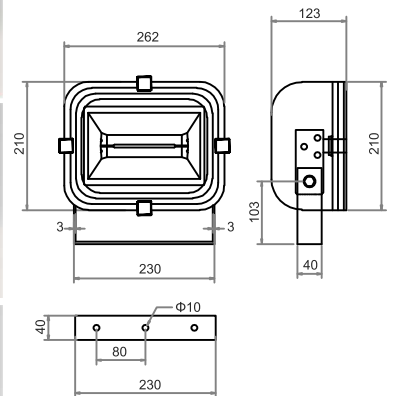
Mounting

- Adjustable bracket made of stainless steel

AEGEAN 1

| CODE | VOLTAGE | FREQUENCY | LAMP HOLDER | LAMP TYPE | LAMP LUMEN |
|-----------|---------|-----------|-------------|---------------------|-------------------------------------|
| AGN1R7s | 24-230V | 50-60Hz | R7s | MAX 500W HALOGEN | 200W-2850 300W-4600 500W-9000 |
| AGN1230EL | 230V | 50-60Hz | R7s | 1X70 HST/HIT | 5500 |

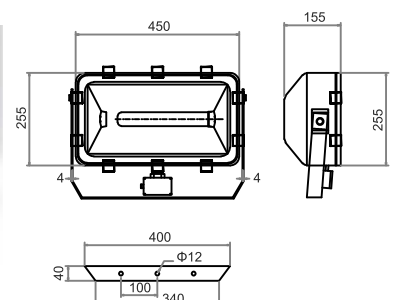
| CODE | VOLTAGE | FREQUENCY | LAMP HOLDER | LAMP TYPE | LAMP LUMEN |
|-------------|---------|-----------|-------------|-----------------|------------|
| AGN1230130L | 230V | 50-60Hz | - | 1X30W LED 4000K | 2000 |
| AGN1230230L | 230V | 50-60Hz | - | 2X30W LED 4000K | 2X2000 |



AEGEAN 2

| CODE | VOLTAGE | FREQUENCY | LAMP HOLDER | LAMP TYPE | LAMP LUMEN |
|---------|----------|-----------|-------------|--------------------------------|----------------|
| AGN2R7S | 110/230V | 50-60Hz | R7s | 750W HALOGEN 1000W HALOGEN | 15000 21000 |
| AGN2E40 | 110/230V | 50-60Hz | E40 | 1000W HALOGEN 400W HST/HIT* | 21000 35000 |

| CODE | VOLTAGE | FREQUENCY | LAMP HOLDER | LAMP TYPE | LAMP LUMEN |
|------------|---------|-----------|-------------|-----------|------------|
| AGN2230430 | 230V | 50-60Hz | - | LED 4X30W | 4X2000 |



* THE BALLAST UNIT HAS TO BE ORDERED SEPARATELY